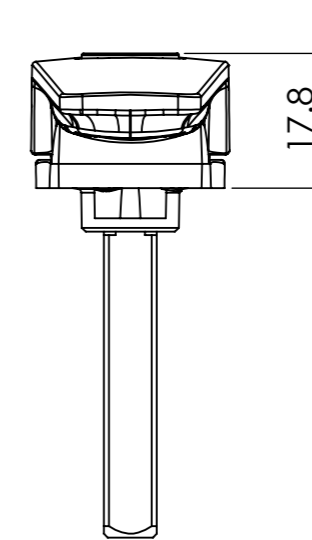
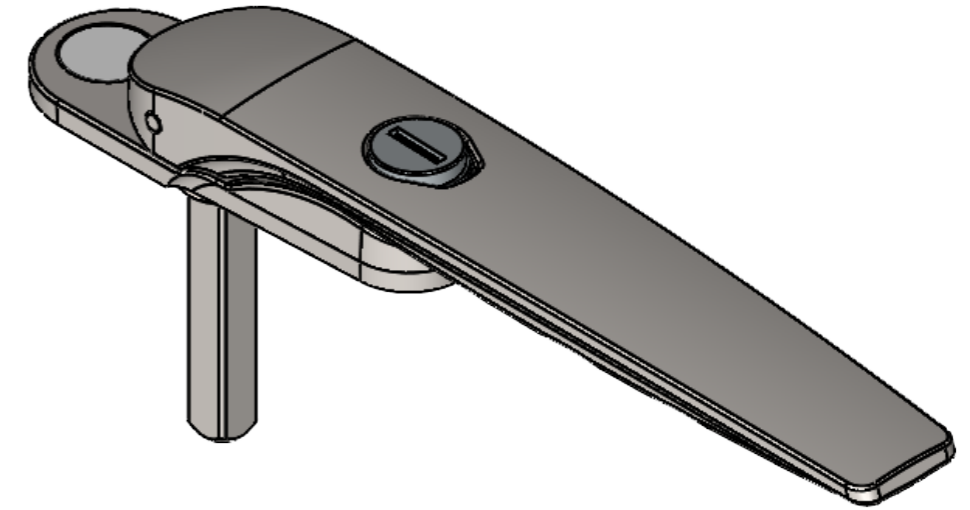
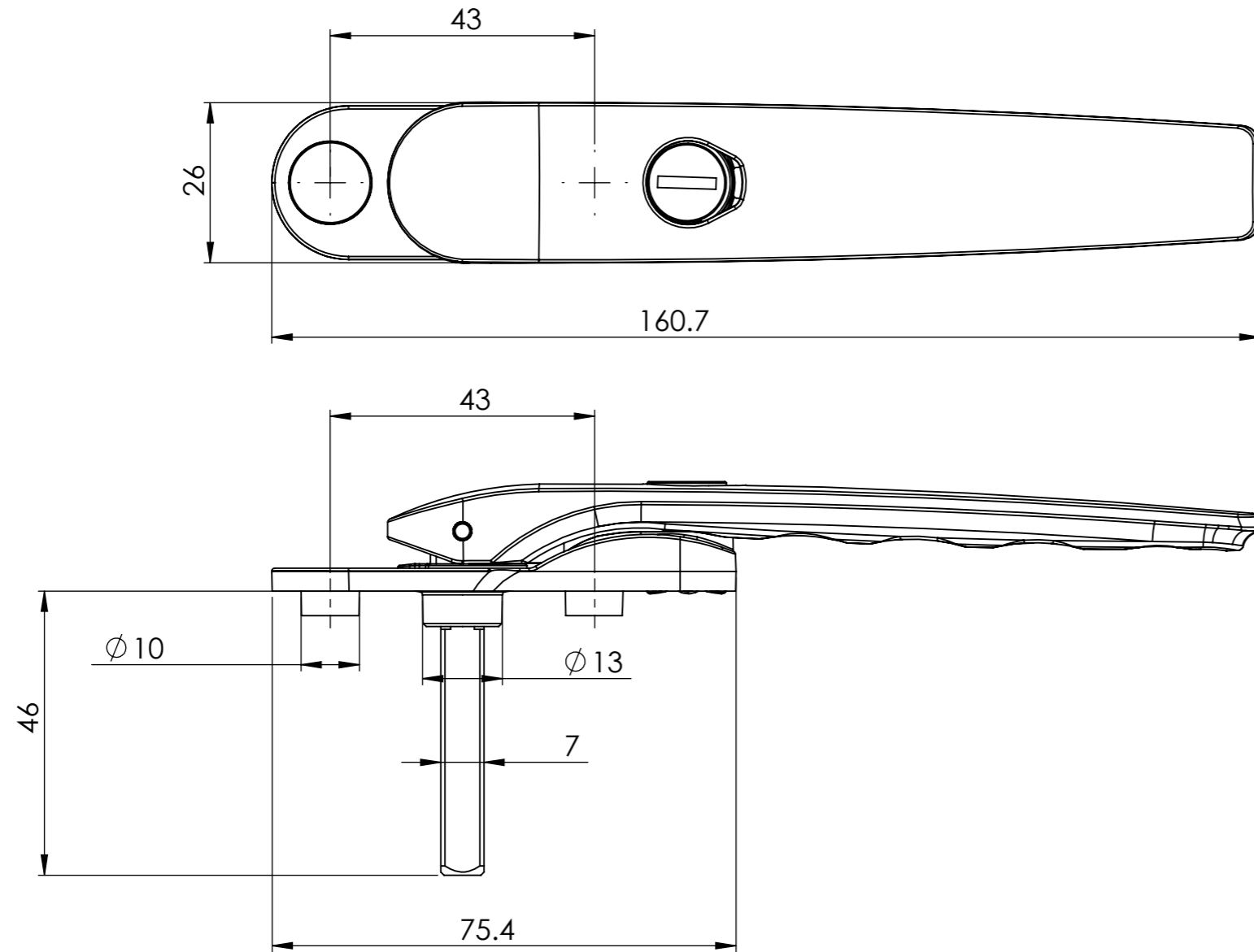


| REVISIONS |             |      |          |
|-----------|-------------|------|----------|
| REV.      | DESCRIPTION | DATE | APPROVED |



DEV No. **Q6262**

Status.

Checked By.

Component Weight (grams):



J. Banks & Co. Limited  
Unit A, Vernon Park  
Featherstone, Wolverhampton  
West Midlands, WV10 7HW

T: +44 01902 864863

W: www.jbanks.co.uk  
E: sales@jbanks.co.uk

|            |            |        |                    |
|------------|------------|--------|--------------------|
| Material.  | <b>N/A</b> | Drawn. | <b>P. FLETCHER</b> |
| Treatment. | <b>N/A</b> | Date.  | <b>15/12/2025</b>  |
| Finish.    | <b>N/A</b> | Scale. | <b>1:1</b>         |

|  |                              |                           |      |
|--|------------------------------|---------------------------|------|
|  | All dimension in millimetres | Title. <b>EDGE HANDLE</b> |      |
| General Tolerance<br>Linear ±0.10    Angular ±1° | Drg. No. <b>JBC992</b>       | Size A3                   | Rev. |

This design is Copyright of J. Banks & Co. Limited and is not to be handed over to any third parties without prior approval from J. Banks & Co. Limited

USE WITH ORDER No \_\_\_\_\_ ONLY